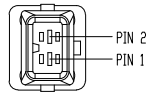
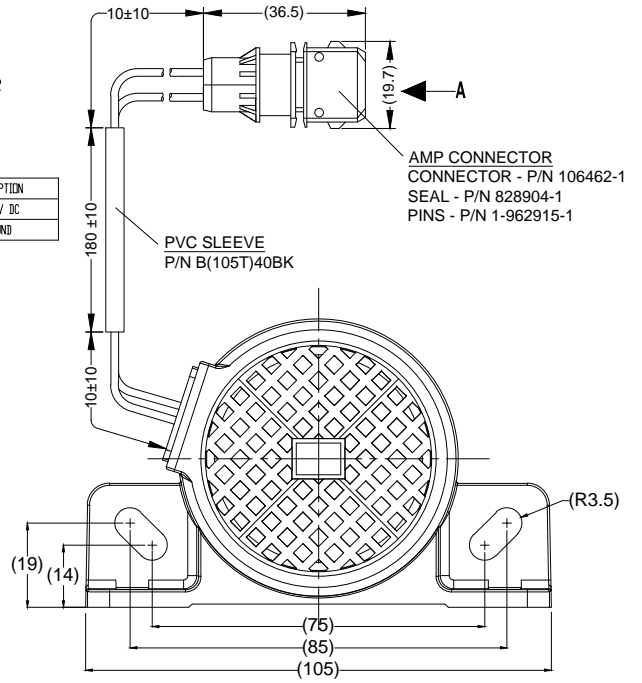


Revision Notes.				
R1 -				
APA: -	Drawn:-	Checked:-	Approved:-	Date: -

VIEW A



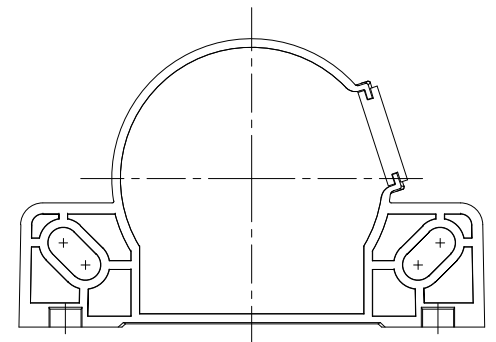
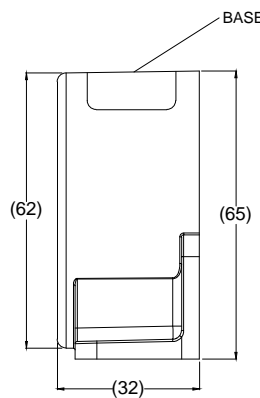
PIN #	WIRE COLOUR	DESCRIPTION
1	RED	12-24V DC
2	BLACK	GROUND



CHANGES FROM BASE PRODUCT BBS-87 (0897B) TO BBS-87(AMP) (3998A)

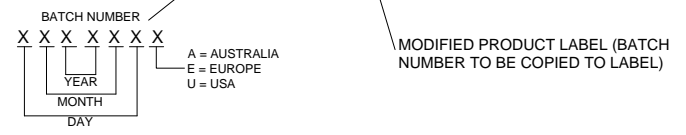
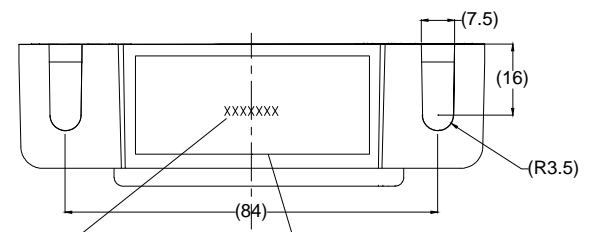
- CHANGE:
- 180MM OF FREE ISSUE B(105T)40BK PVC 4MM ID 0.5MM WALL THICKNESS ADDED TO CABLE
 - AMP CONNECTOR ADDED
 - ADDITIONAL PRODUCT LABEL APPLIED
 - NEW GB-LBL APPLIED OVER EXISTING GB-LBL

OPERATION: SAME AS BASE PRODUCT



SPECIFICATION:

1. RATED VOLTAGE: 12 TO 24 VOLT DIRECT CURRENT (WORKING VOLTAGE RANGE 9~32 VOLTS)
2. RATED CURRENT: 0.2 AMPERES OR LESS.
3. SOUND PRESSURE: 87±4 DECIBELS AT TEST VOLTAGE OF 14 AND 28 VOLTS (AS MEASURED AT DISTANCE OF 1.2M AND AT HEIGHT OF 1.2M ABOVE THE GROUND)
4. INTERMITTENCE: 80±10 CYCLES PER MINUTE AT TEST VOLTAGE OF 14 AND 28 VOLTS.
5. TONE: WHITE SOUND(BBS).
6. ENVIRONMENTAL: SUBJECT TO SAE J994.



NOTES:
1. FOR LABELS AND PACKAGING REFER TO LATEST REVISION OF MASTER BOM

PROPRIETARY NOTICE
THIS DESIGN AND TECHNICAL INFORMATION APPEARING ON THIS DRAWING IS THE PROPERTY OF BRIGADE ELECTRONICS, AND IS DISCLOSED IN CONFIDENCE. IT IS NOT TO BE COPIED, REPRODUCED, REVEALED TO OR EXPROPRIATED BY OTHERS, EITHER IN WHOLE OR IN PART WITHOUT THE EXPRESS WRITTEN CONSENT OF BRIGADE ELECTRONICS.



Assembly Pl Approval M.NETHA 28/03/17	Approved by B.CHILDS	Checked by R.PENTLEY	Drawn by D.RICHARDSON
Angle of Projection 	Units mm	Scale N/A	Released 28/03/17
	Status RELEASED	Assembly Ref -	
	Part No 3998A	BBS-87(AMP)	
		BE-003642-00-17	